



Home Embroidery Machine

PARTS REFERENCE LIST

MODEL: NQ1400E

CONFIDENTIAL

©2015 Brother Industries, Ltd.
All rights reserved.

Published: Jan.,2015
Revised: -

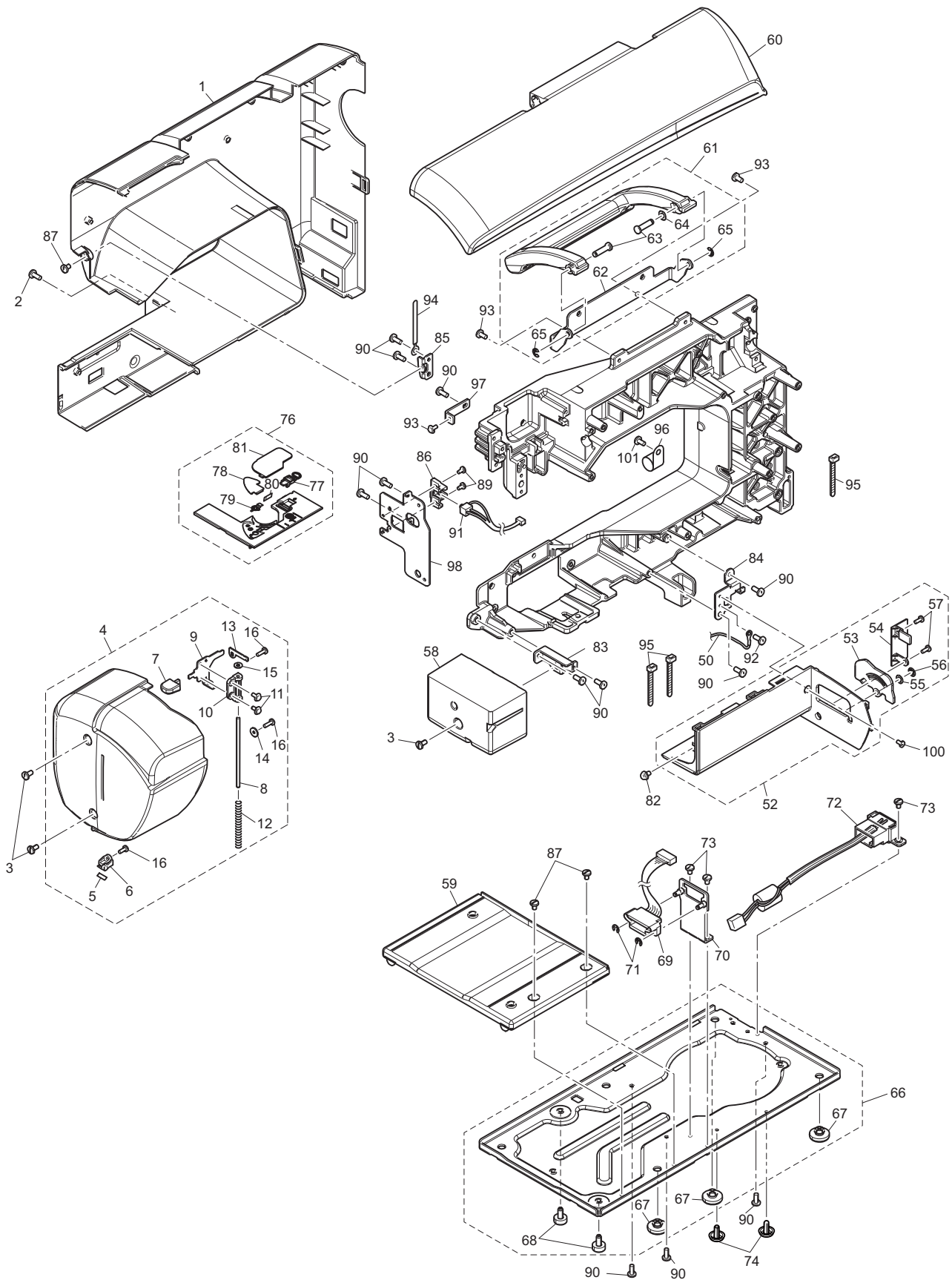
CONTENTS

(1) MAIN FRAME / COVER	2
(2) UPPER SHAFT / NEEDLE BAR / PRESSER FOOT UNIT ...	6
(3) FEED / SIDE FEED / THREAD CUTTING UNIT	8
(4) BOBBIN WINDING MECHANISM.....	10
(5) NEEDLE THREADING MECHANISM	12
(6) ELECTRIC PARTS / MAIN MOTOR UNIT	14
(7) EMBROIDERY UNIT	16
(8) ACCESSORY PARTS	20
(9) USER MANUAL / PACKAGE.....	22
NEEDLE-PRESSER MODULE.....	24
FEED MODULE	26
THREAD CUTTER MODULE	28
SPARE PARTS.....	30

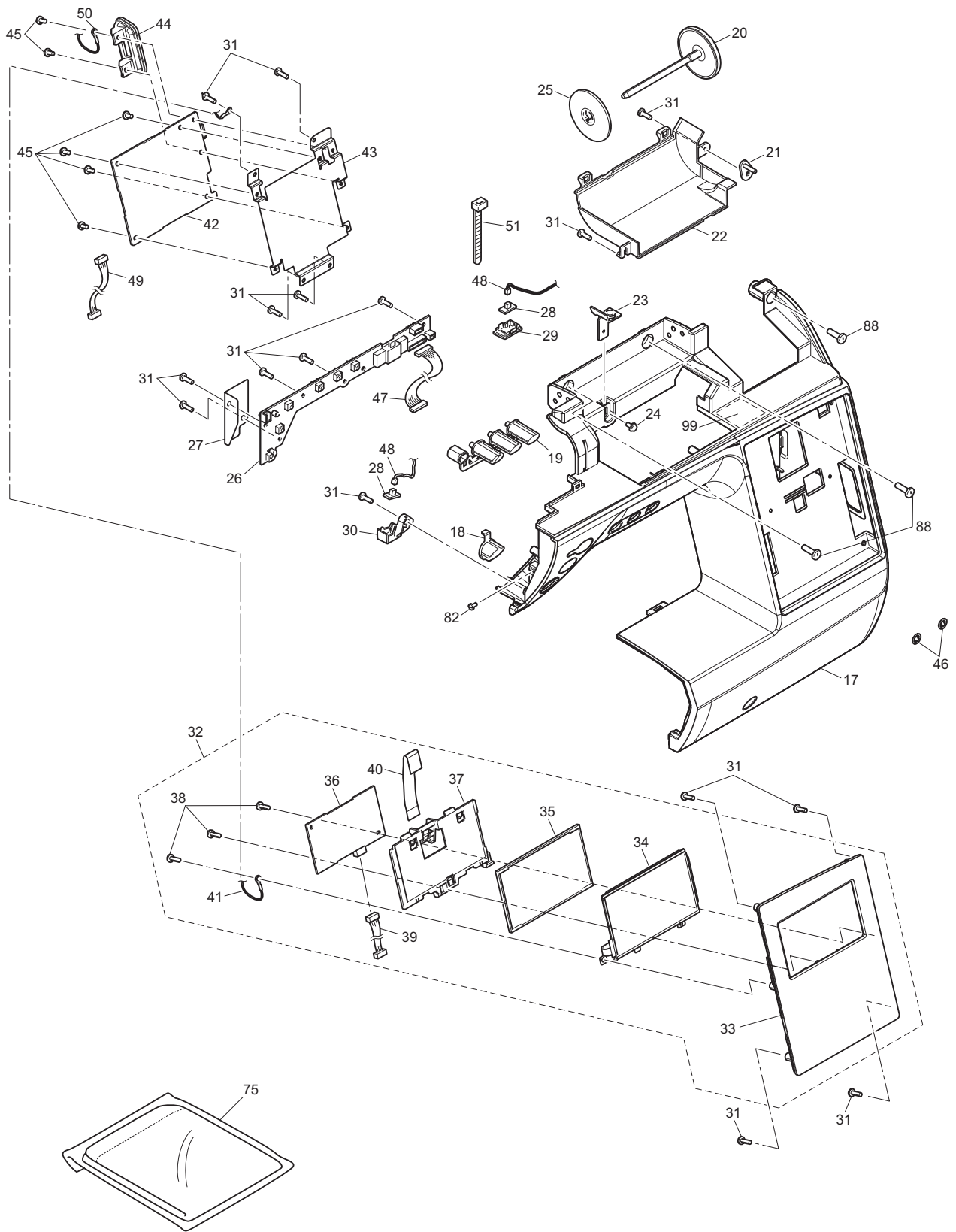
Note on parts:

We keep performance parts for this sewing machine for at least 8 years after this model is discontinued. Performance parts are the necessary parts to maintain the function of the sewing machine.

(1) MAIN FRAME / COVER



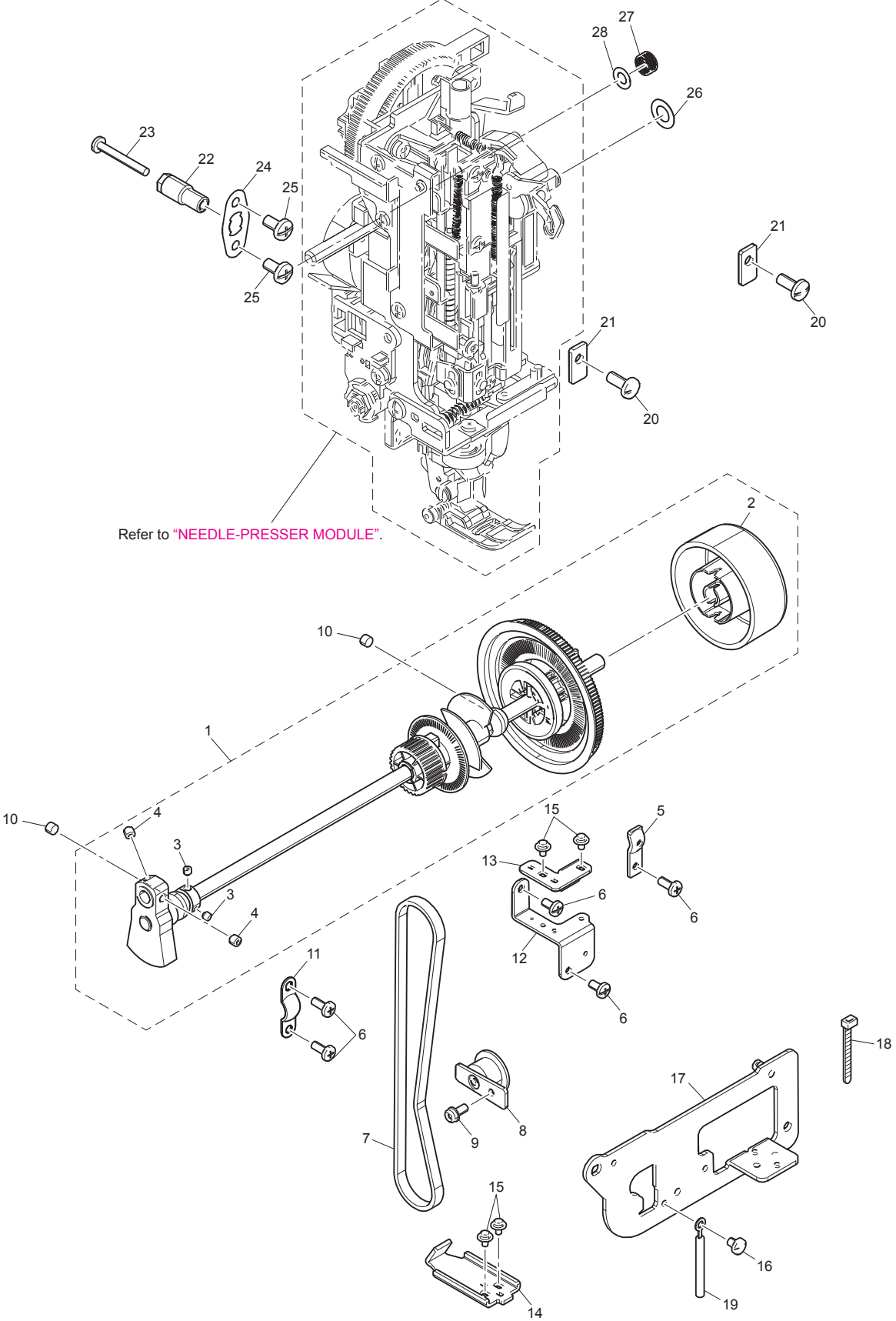
(1) MAIN FRAME / COVER



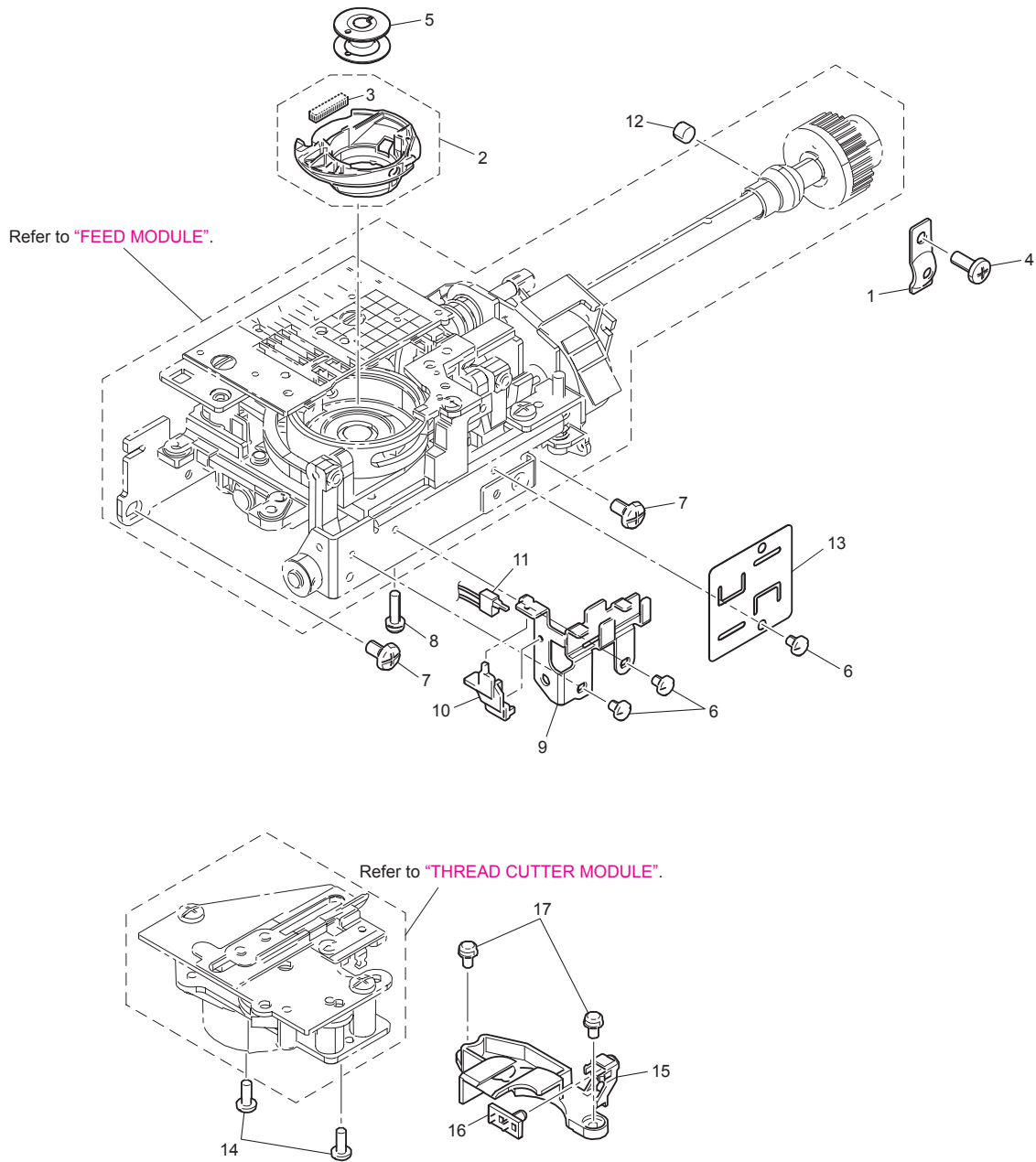
(1) MAIN FRAME / COVER

No.	CODE	NAME	REMARKS	No.	CODE	NAME	REMARKS
1	XF9034001	MATERIAL OF REAR COVER		45	060300616	SCREW BIND M3X6	
2	XC7568051	SCREW, PAN(S/P WASHER)M4X14		46	146200021	RETAINING RING, CS4	
3	XC7566051	SCREW, PAN(S/P WASHER)M4X8		47	XF9384001	LEAD WIRE ASSY SSVR NEXT F	
4	XF8533001	FACE PLATE ASSY		48	XF9385001	LEAD WIRE ASSY LED NEXT F	
5	X80321021	NT LOWER THREAD CUTTER		49	XF9387001	LEAD WIRE ASSY MAIN-PANEL	
6	XF8545001	FACE PLATE CUTTER HOLDER		50	XF9445001	LEAD WIRE ASSY PANEL USB FG	
7	XF8546001	NEEDLE THREAD LEVER KNOB		51	X53169020	BAND	
8	XC9386051	NEEDLE THREAD LEVER SHAFT		52	XF8634001	FREE ARM FRONT COVER ASSY	
9	XF8548001	NEEDLE THREAD LEVER		53	XF9480001	CONNECT COVER	
10	XD0119050	NEEDLE THREAD LEVER SLIDER		54	XF8636001	CONNECT COVER HOLDER	
11	XA8390021	SCREW		55	137713020	POLYESTER SLIDER	
12	XC9388051	THREAD THROUGH LEVER SPRING		56	146200021	RETAINING RING, CS4	
13	XA6320050	SHAFT PRESSER PLATE		57	136681021	TAPTITE, BIND B M3X8	
14	XA5525051	WASHER,PLAIN		58	XF8638001	FREE ARM COVER	
15	XC0508020	RUBBER WASHER		59	XF8651001	BASE PLATE COVER	
16	085311016	TAPTITE BIND B M3X10		60	XG0289001	TOP COVER ASSY PRINTED	
17	XF8554001	FRONT COVER		61	XF8660001	HANDLE ASSY	
18	XF8574001	SS BUTTON		62	XF8665001	HANDLE HOLDER	
19	XF8583001	OPERATION BUTTON		63	XF8666001	HANDLE SHAFT	
20	XA1786053	SPOOL PIN		64	XF9413001	WAVE-SHAPE SPRING WASHER	
21	XC9690051	SPOOL PIN HOLDER ASSY		65	048040346	RETAINING RING E4	
22	XF8590001	THREAD BOBBIN COVER		66	XF8669001	BASE PLATE ASSEMBLY	
23	XC9693451	BOBBIN WINDER GUIDE ASSY		67	XA1805021	BASE RUBBER A	
24	XA8390021	SCREW		68	XE1973001	ADJUSTING SCREW ASSY	
25	XE1372001	SPOOL PRESSER C		69	XF9395001	LEAD WIRE ASSY MAIN-EMB UNIT	
26	XF8950001	SSVR PCB ASSY NEXT FEMB		70	XF8682001	CONNECTOR HOLDER ASSY	
27	XF8591001	SSVR INSULATION SHEET		71	048030346	RETAINING RING E3	
28	XF8994001	LED PCB ASSY NEXT F		72	XF9398101	LEAD WIRE ASSY INLET US NEXT F	
29	XF8592001	LED LAMP COVER				(USA, CAN)	
30	XF8593001	LED LAMP COVER R			XF9399001	LEAD WIRE ASSY INLET EU NEXT F	
31	085311016	TAPTITE BIND B M3X10				(OTHER)	
32	XG1825001	LCD UNIT SUPPLY ASSY NQ1400E		73	060400616	SCREW BIND M4X6	
33	XG1826001	PN PLATE SUPPLY ASSY NQ1400E		74	XF5650001	SCREW CAP	
34	XG1325001	TOUCH PANEL SUPPLY ASSY		75	XF9531001	DUST COVER ASSY EMB BRO	
35	XG1905001	LCD SUPPLY ASSY		76	XF8692101	NEEDLE PLATE B ASSY	
36	XF8985001	LCD RELAY PCB ASSY		77	XC7371022	SLIDE BUTTON	
37	XF9558001	PANEL HOLDER LID		78	XD1666052	CUTTER COVER	
38	085311016	TAPTITE BIND B M3X10		79	XD1461051	NEEDLE PLATE COVER SPRING	
39	XF9390001	LEAD WIRE ASSY ELECSW-LCD R		80	X80321021	NT LOWER THREAD CUTTER	
40	XF9388001	FLEXIBLE FLAT CABLE:SML2CD-24		81	XE8992101	NEEDLE PLATE COVER ASSY	
41	XG0284001	LEAD WIRE ASSY NEXTF LCD FRAME		82	0A6300606	SCREW PAN (T WASHER) M3X6	
42	XG1827001	PANEL PCB SUPPLY ASSY EMB/B_US		83	XC9746151	FREE ARM PLATE	
43	XF8632001	BOARD PLATE		84	XG0404001	FREE ARM FRONT COVER PLATE	
44	XF8633001	USB COVER		85	XF8694001	REAR COVER PLATE	

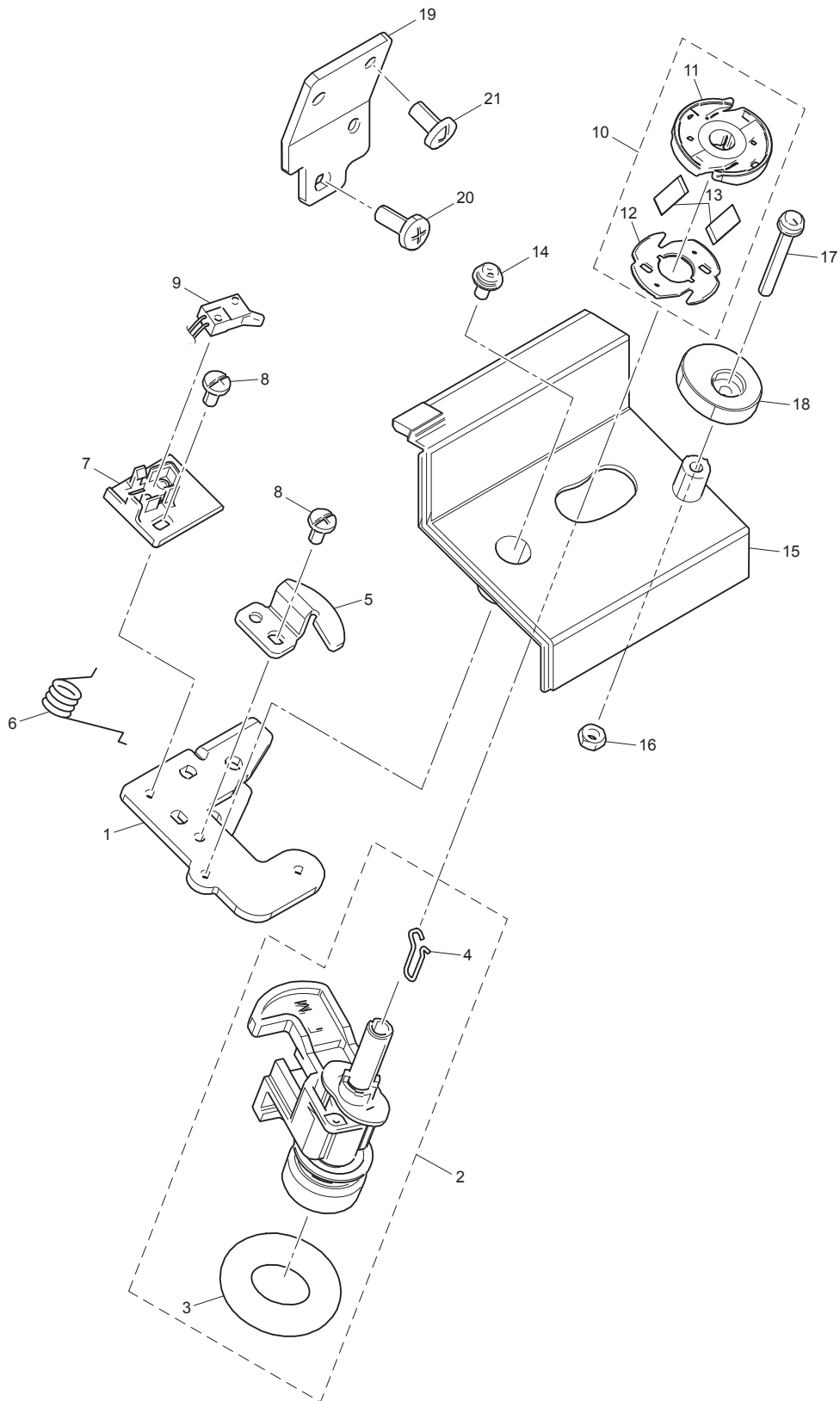
(2) UPPER SHAFT / NEEDLE BAR / PRESSER FOOT UNIT



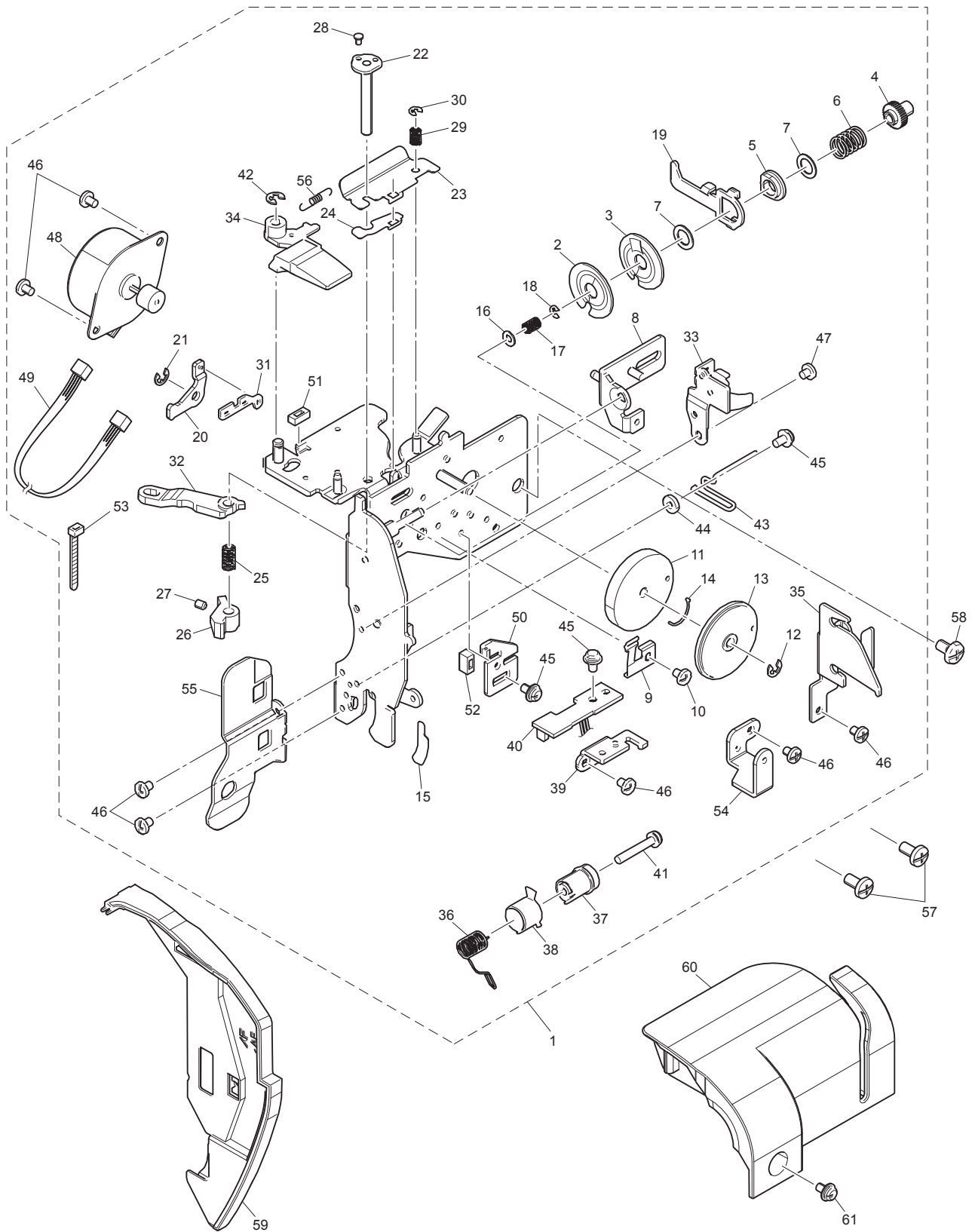
(3) FEED / THREAD CUTTING UNIT



(4) BOBBIN WINDING MECHANISM



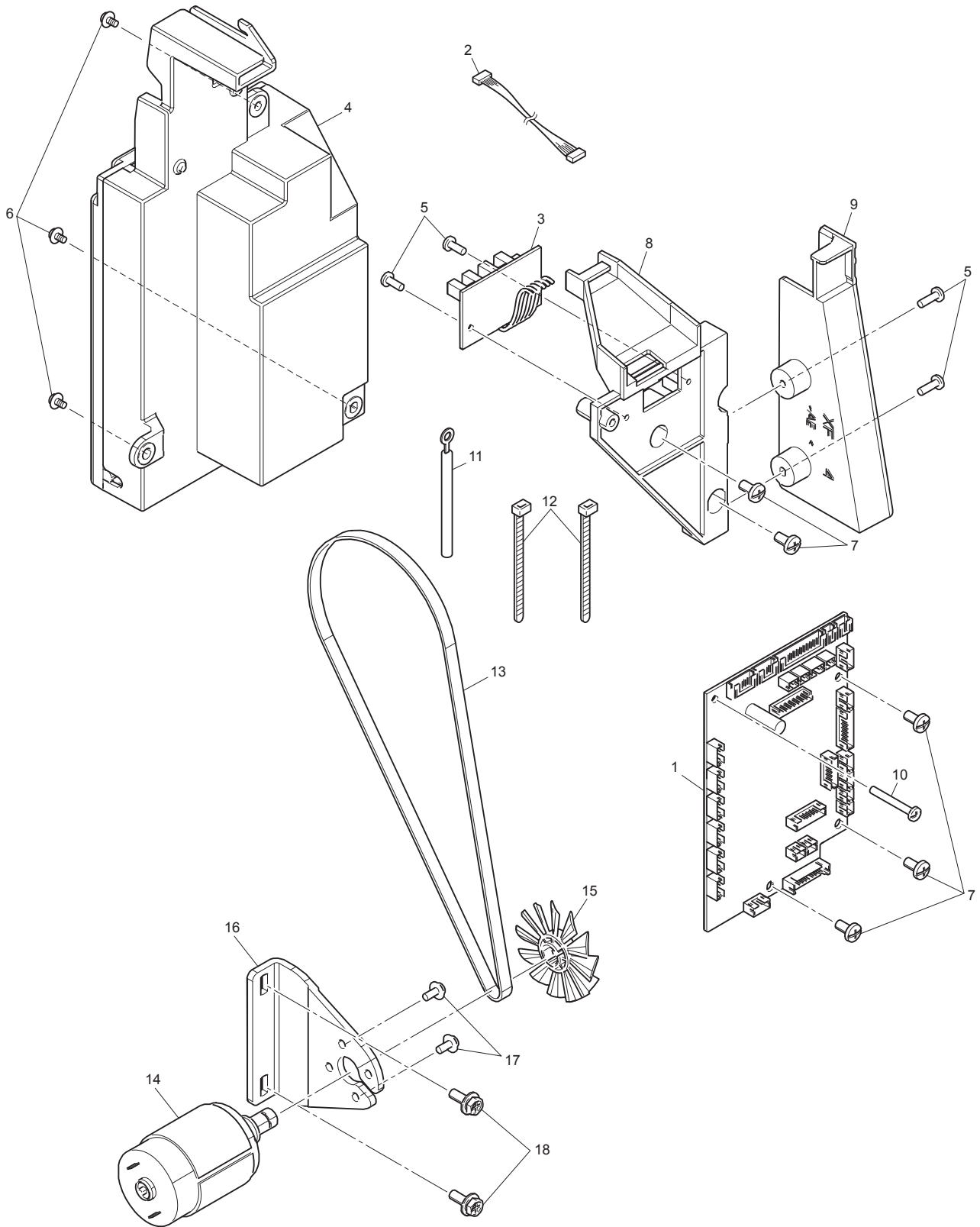
(5) NEEDLE THREADING MECHANISM



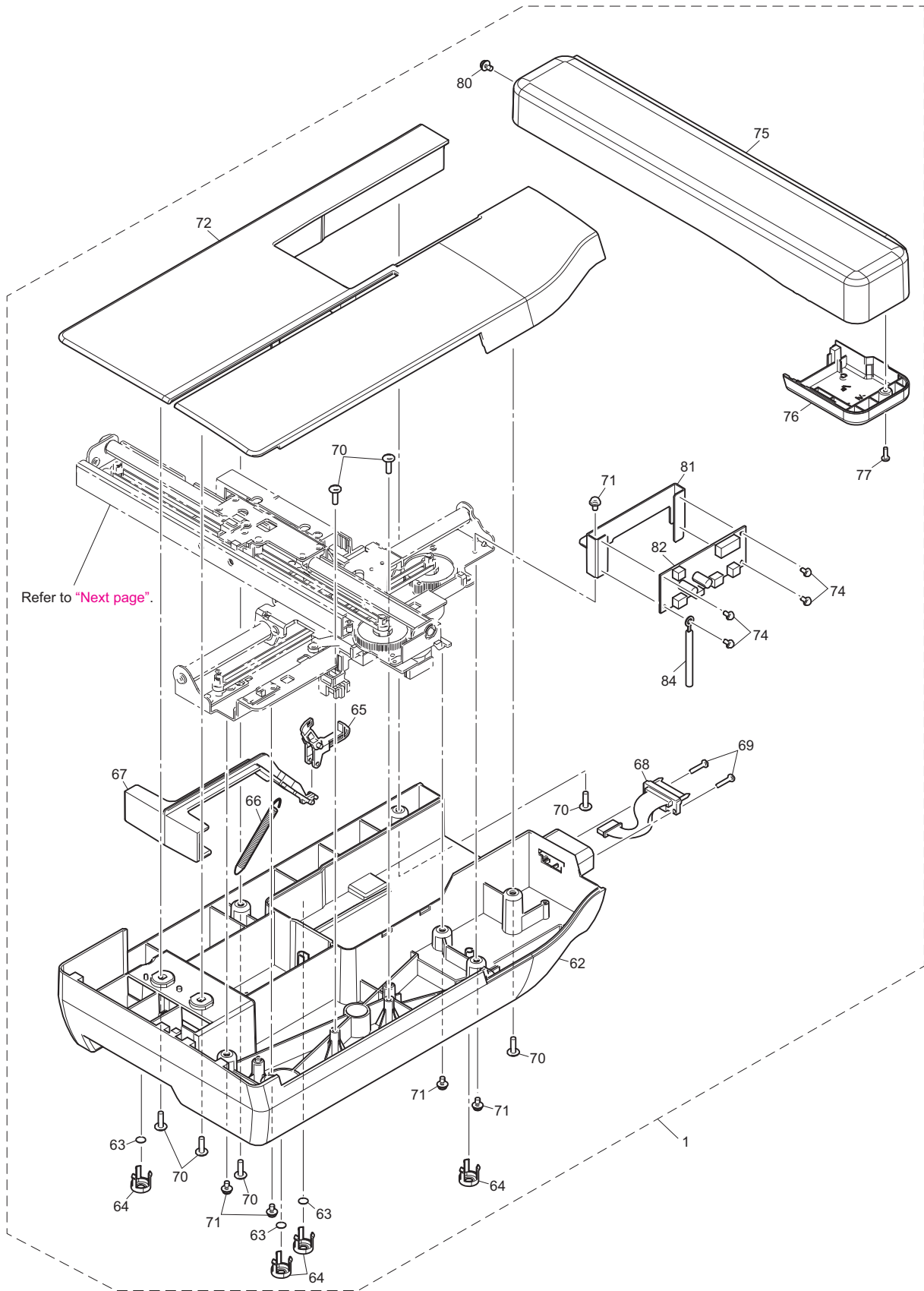
(5) NEEDLE THREADING MECHANISM

No.	CODE	NAME	REMARKS	No.	CODE	NAME	REMARKS
1	XG1334001	THREAD TENSION U SUPPLY ASSY		45	XC7564021	SCREW PAN(S/P WASHER)M3X6	
2	XA0083121	TENSION DISC A		46	060300416	SCREW BIND M3X4	
3	XC2626121	TENSION DISC B		47	XC6055021	SCREW, BIND M3X3	
4	XF8877001	TENSION ADJUSTING SCREW		48	XG1449001	PULSE MOTOR:AT M35SP-9NK	
5	XA1388021	TENSION DISC WASHER		49	XF9380101	LEAD WIRE ASSY ATPM	
6	XA9900051	THREAD TENSIONSPRING		50	XF8892101	INITIAL ADJUSTING PLATE	
7	XD0573021	WASHER		51	XC3253051	RUBBER	
8	XF8880101	TENSION PLATE ASSY		52	XG1817001	RUBBER	
9	XF8882101	SPRING PLATE		53	X53169020	BAND	
10	060300416	SCREW BIND M3X4		54	XF8893001	COVER HOLDER	
11	XG1022001	THREAD TENSIONCAM		55	XG0730001	THREAD GUARD PLATE	
12	048030346	RETAINING RING E3		56	XG0747001	SHUTTER PULL SPRING	
13	XZ0170051	THREAD TENSION GEAR COVER		57	060400816	SCREW BIND M4X8	
14	X56323021	SPRING		58	XE1489001	STUD SCREW M4	
15	XA9935050	SPRING TAPE		59	XF8894001	THREAD GUARD COVER	
16	026030136	WASHER PLAIN S 3		60	XF8896101	FRONT THREAD GUARD COVER	
17	X57605051	SPRING		61	0A5300606	SCREW PAN (S/P WASHER) M3X6	
18	048020346	RETAINING RING E2					
19	XC9444151	DISK WASHER HOLDER					
20	XG0776001	TENSION RELEASER LINK					
21	048030346	RETAINING RING E3					
22	XC2638151	TENSION PRESSURE ASSY					
23	XC9115151	TENSION PLATE					
24	XC7927151	SPACER					
25	XG0732001	SPRING					
26	XC2640051	TENSION RELEASE CAM					
27	012300432	SET SCREW SOCKET (FT) M3X4					
28	X57363051	POWER LOCK 2X3					
29	X57605051	SPRING					
30	048020346	RETAINING RING E2					
31	XG0777001	SHUTTER RELEASER LINK					
32	XG0778001	THREAD SHUTTER LINK					
33	XF9049101	PLATE ASSEMBLY					
34	XF8888001	THREAD GUIDE SHUTTER					
35	XF8889001	THREAD GUIDE					
36	XC6957121	THREAD TAKE UP SPRING					
37	XD0377151	THREAD CATCHING SPRING CASE FE					
38	XE5731001	THREAD CUTTING SHUTTER					
39	XD0379051	THREAD SENSOR HOLDER FE					
40	XF8944201	UPTHREAD PCB ASSY NEXT F	1000049610				
41	0A4302006	SCREW PAN (S/P WASHER) M3X20					
42	048030346	RETAINING RING E3					
43	XC7931050	THREAD GUIDE WIRE					
44	XA9996051	WASHER,PLAIN					

(6) ELECTRIC PARTS / MAIN MOTOR UNIT



(7) EMBROIDERY UNIT



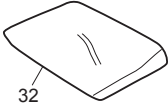
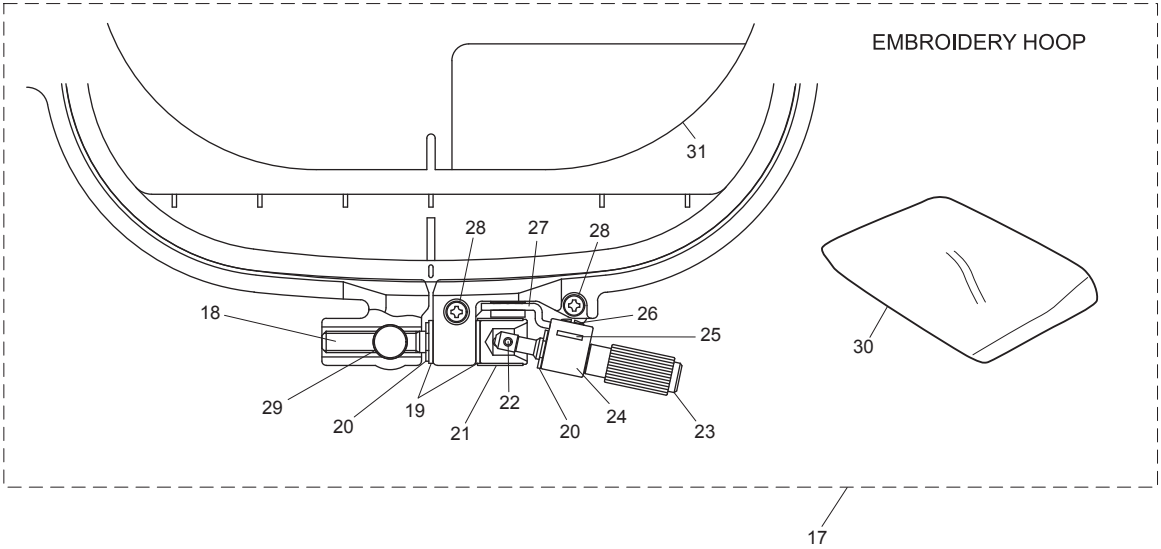
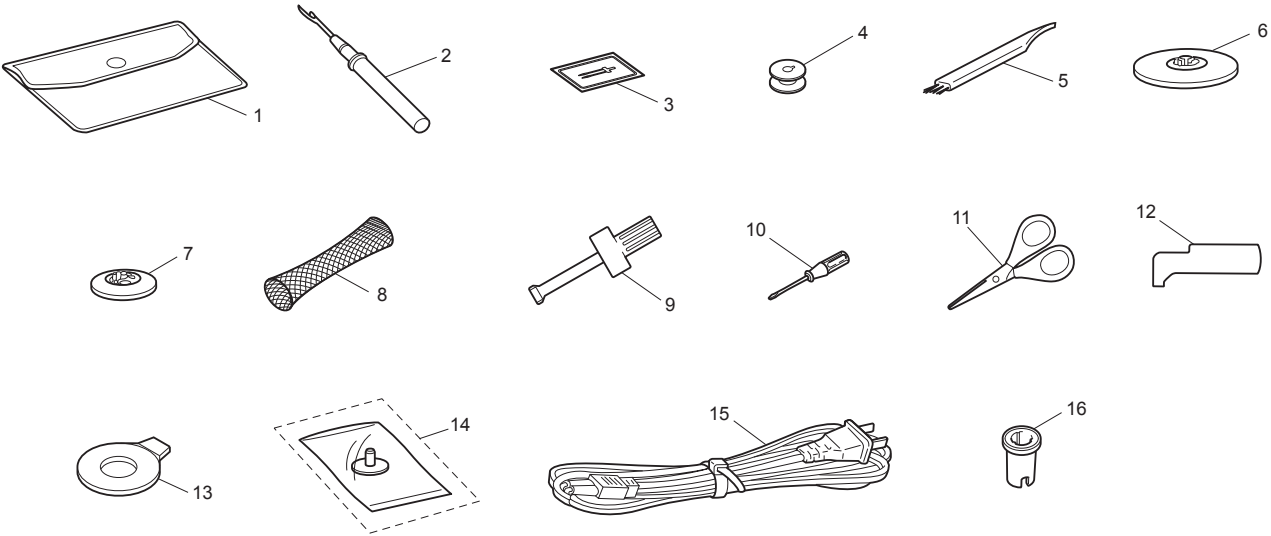
(7) EMBROIDERY UNIT

No.	CODE	NAME	REMARKS	No.	CODE	NAME	REMARKS
1	XG1336001	EMBROIDERY UNIT SUPPLY ASSY		45	XC8080051	STOP RING 10.69	
2	XG2307001	WASHER		46	XC8081051	WASHER	
3	XF8916001	DRIVING GEAR PULLY		47	XC8082050	WASHER,SPRING 12	
4	XC8298051	ASSY:XY PULSE MOTOR		48	085301017	TAPTITE BIND P M3X10	
5	XF9471001	LEAD WIRE ASSY XPM		49	XC8084050	FFC SUPPORT	
6	XA8390021	SCREW		50	XF9470001	FLEXIBLE FLAT CABLE:SML2CD-6	
7	XC8041051	TIMING BELT 40S2M530		51	060300616	SCREW BIND M3X6	
8	XC8042051	TENSION PULLEY ASSY		52	XC8085050	CORD CLIP	
9	XF8918001	E CODE SUPPORTER		53	XF9759001	Y SENSOR PCB ASSY NEXT F	
10	XC7566051	SCREW, PAN(S/P WASHER)M4X8		54	XC8086050	CODE GRIP	
11	XF9758001	X SENSOR PCB ASSY NEXT F		55	XC8087151	X SLIDER	
12	060300616	SCREW BIND M3X6		56	XC7566051	SCREW, PAN(S/P WASHER)M4X8	
13	X53169020	BAND		57	XC8898051	X GUIDE SHAFT PRESSER PLATE	
14	XC8050051	X GUIDE SHAFT		58	XC8899050	X GUIDE SHAFT PRESSER	
15	XG2307001	WASHER		59	060300416	SCREW BIND M3X4	
16	XF8916001	DRIVING GEAR PULLY		60	XC8088051	X BELT PRESSER	
17	XF9372001	PULSE MOTOR:Y SMJ35-4823-GP		61	XC7566051	SCREW, PAN(S/P WASHER)M4X8	
18	XA8390021	SCREW		62	XF8925101	ES BASE COVER ASSY	
19	XC9478050	FFC CODE GUIDE		63	X59853020	RUBBER CUSHION	
20	XC8586050	FFC CODE SUPPORTER		64	XC8094051	RUBBER CUSHION COVER	
21	060300616	SCREW BIND M3X6		65	XC8095051	LOCK FINGER	
22	XC8042051	TENSION PULLEY ASSY		66	XC8096051	SPRING	
23	XC9479051	TIMING BELT 40S2M660		67	XF8821001	LOCK RELEASE LEVER	
24	XC8061051	Y SLIDER		68	XF9394001	LEAD WIRE ASSY EMB UNIT-MAIN	
25	XC8062051	YT BELT PRESSER PLATE		69	085301017	TAPTITE BIND P M3X10	
26	XC7566051	SCREW, PAN(S/P WASHER)M4X8		70	087411416	TAPTITE CUP B M4X14	
27	XG0568001	LEAD WIRE ASSY YPM RELAY NEXTF		71	XC7566051	SCREW, PAN(S/P WASHER)M4X8	
28	XC8065251	Y CARRIAGE ASSY		72	XF8927001	ES MAIN COVER ASSY	
29	XC9482051	Y GUIDE SHAFT		73	XF9461001	XC SUB COVER	
30	XF9120001	E HOOP STAY PLATE ASSY		74	XA8390021	SCREW	
31	XE3768001	E HOOP LOCK LEVER		75	XF8929001	X CARRIAGE COVER	
32	XE3757101	E HOOP LOCK LEVER SPRING		76	XF8931001	YPM COVER	
33	XG0396001	LOCK SW PLATE SUB ASSY		77	085301017	TAPTITE BIND P M3X10	
34	XE3766001	HOOP LOCK SW PUSH PLATE		78	XC8089151	E HOOP STAY COVER	
35	XE3758001	POLYESTER SLIDER		79	060300416	SCREW BIND M3X4	
36	048040346	RETAINING RING E4		80	0A6400806	SCREW PAN (T WASHER) M4X8	
37	048025346	RETAINING RING E2.5		81	XF8932001	RELAY PCB HOLDER	
38	XE3772101	FRAME PCB ASSY		82	XF8984001	EMB RELAY PCB ASSY NEXT F	
39	XE3756001	E HOOP PRESSURE PLATE		83	XE3795001	HOLE COVER	
40	XC8077051	E HOOP PRESSURE SPRING A		84	137947001	CLIP	
41	XC8079051	E HOOP PRESSURE SPRING C					
42	060300416	SCREW BIND M3X4					
43	XA8390021	SCREW					
44	060400616	SCREW BIND M4X6					

(7) EMBROIDERY UNIT

Blank page

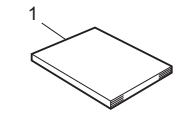
(8) ACCESSORY PARTS



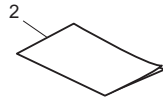
(8) ACCESSORY PARTS

No.	CODE	NAME	REMARKS
1	XC4487021	ACCESSORY BAG	
2	XF4967001	RIPPER ASSY	
3	X59535051	NEEDLE SET	
4	ACC	BOBBIN	
5	X59476051	CLEANING BRUSH	
6	130012024	SPOOL PRESSER A	
7	130013124	SPOOL PRESSER B	
8	XA5523020	NET	
9	XC4237021	DRIVER ASSY	
10	X55468051	SCREW DRIVER S	
11	XC1807121	SCISSORS	
12	XG0918001	L DRIVER	
13	XC1074051	DISC-SHAPED SCREWDRIVER	
14	XF5048001	BOBBIN GUIDE SET (USA, CAN)	
15	XC6052121	POWER SUPPLY CORD:UL CSA-LF (USA, CAN)	
	XD0111151	POWER SUPPLY CORD:IRAM (ARG)	
	XF5050001	POWER SUPPLY CORD:BRZ (BRA)	
	XA0070121	POWER SUPPLY CORD (OTHER)	
16	XA5752121	SPOOL CAP (SMALL)	
17	XC9494051	EMBROIDERY HOOP ASSY 160D6	
	XC8137051	EMBROIDERY HOOP ASSY 130D6 (EXCEPT: USA, CAN)	
	XC8132051	EMBROIDERY HOOP ASSY 100D6 (EXCEPT: USA, CAN)	
18	XC8118051	THUMB SCREW	
19	026050136	WASHER PLAIN S 5	
20	048040343	RETAINING RING E4	
21	XC8119051	RING	
22	XC8120051	KNOB PIN	
23	XC8121051	KNOB SHAFT	
24	XC8122051	KNOB HOLDER	
25	XC8123051	KNOB FIXED PLATE	
26	060260416	SCREW BIND M2.6X4	
27	XC8124051	HOLDER ASSY	
28	0A4260806	SCREW PAN (S/P WASHER) M2.6X8	
29	XC8129051	OUTER HOOP NUT	
30	XC8146051	BAG 300X580H	
31	XC9498051	EMBROIDERY SHEET 160D6 ASSY	
	XC8359051	EMBROIDERY SHEET 130D6 ASSY (EXCEPT: USA, CAN)	
	XC8357051	EMBROIDERY SHEET 100D6 ASSY (EXCEPT: USA, CAN)	
32	X60838051	BAG,70X110C	

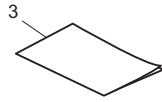
(9) USER MANUAL / PACKAGE



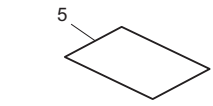
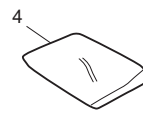
(INSTRUCTION BOOK)



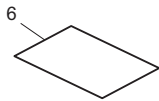
(QUICK REFERENCE GUIDE)



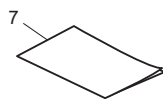
(PATTERN LIST)



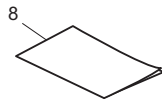
(INSERTION FOR AC POWER)



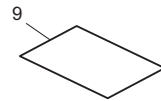
(REGISTRATION SHEET)



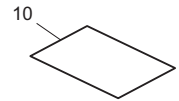
(WARRANTY)



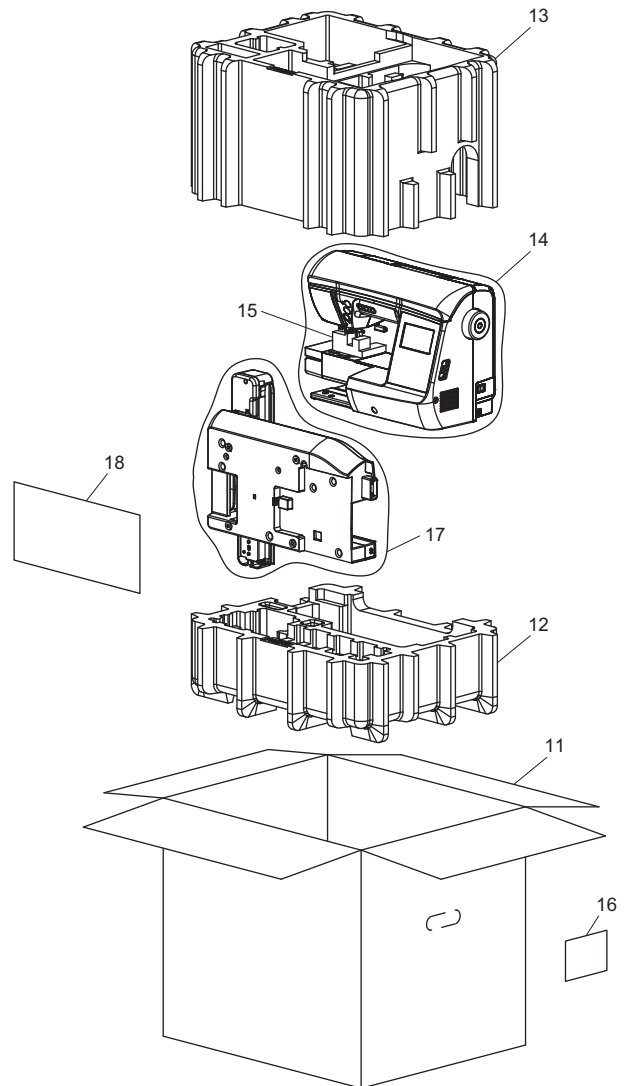
(2&5 WARRANTY)



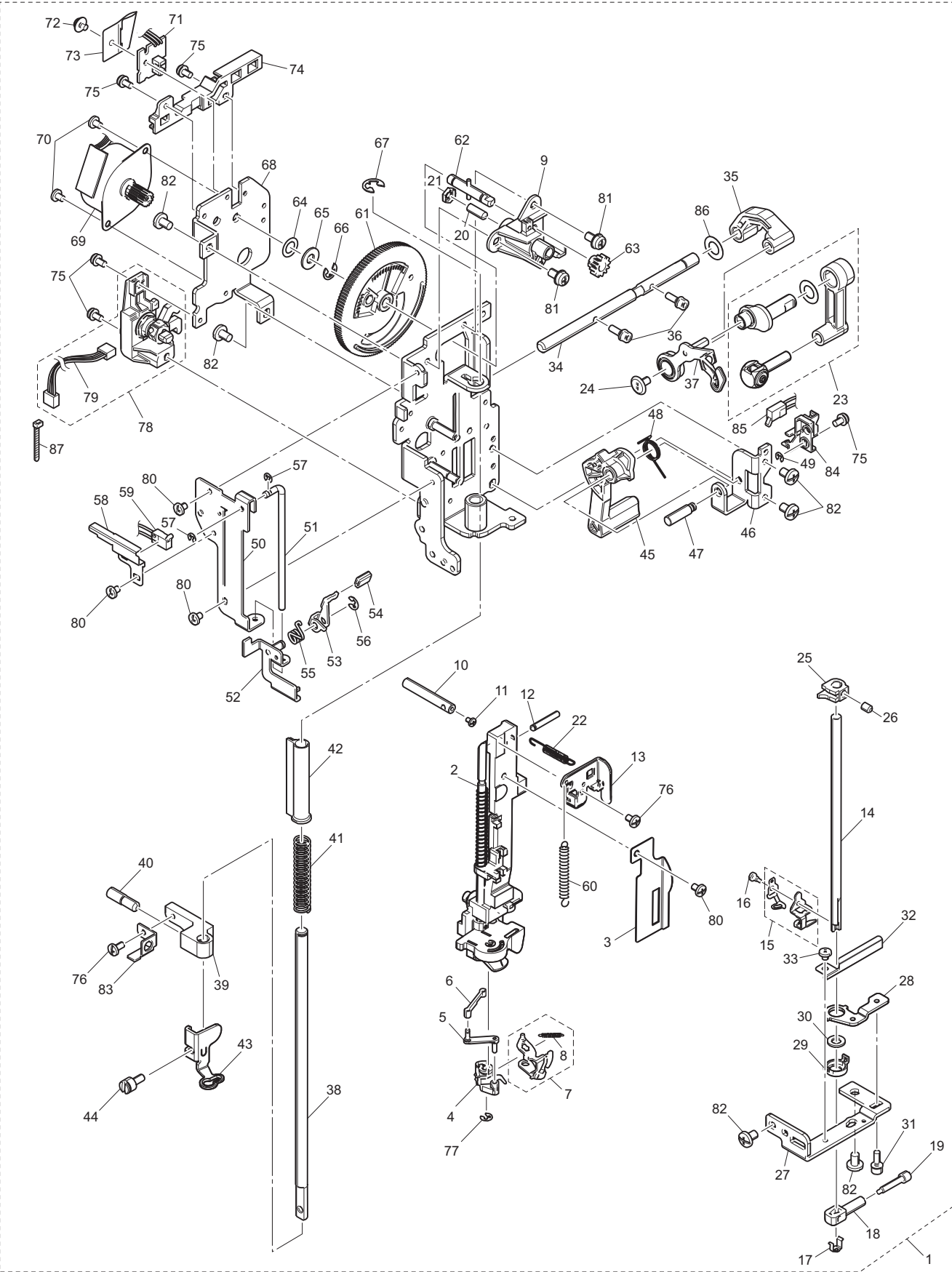
(IBROIDERY INSERTION 2 D)



(INTEL INSERTION)



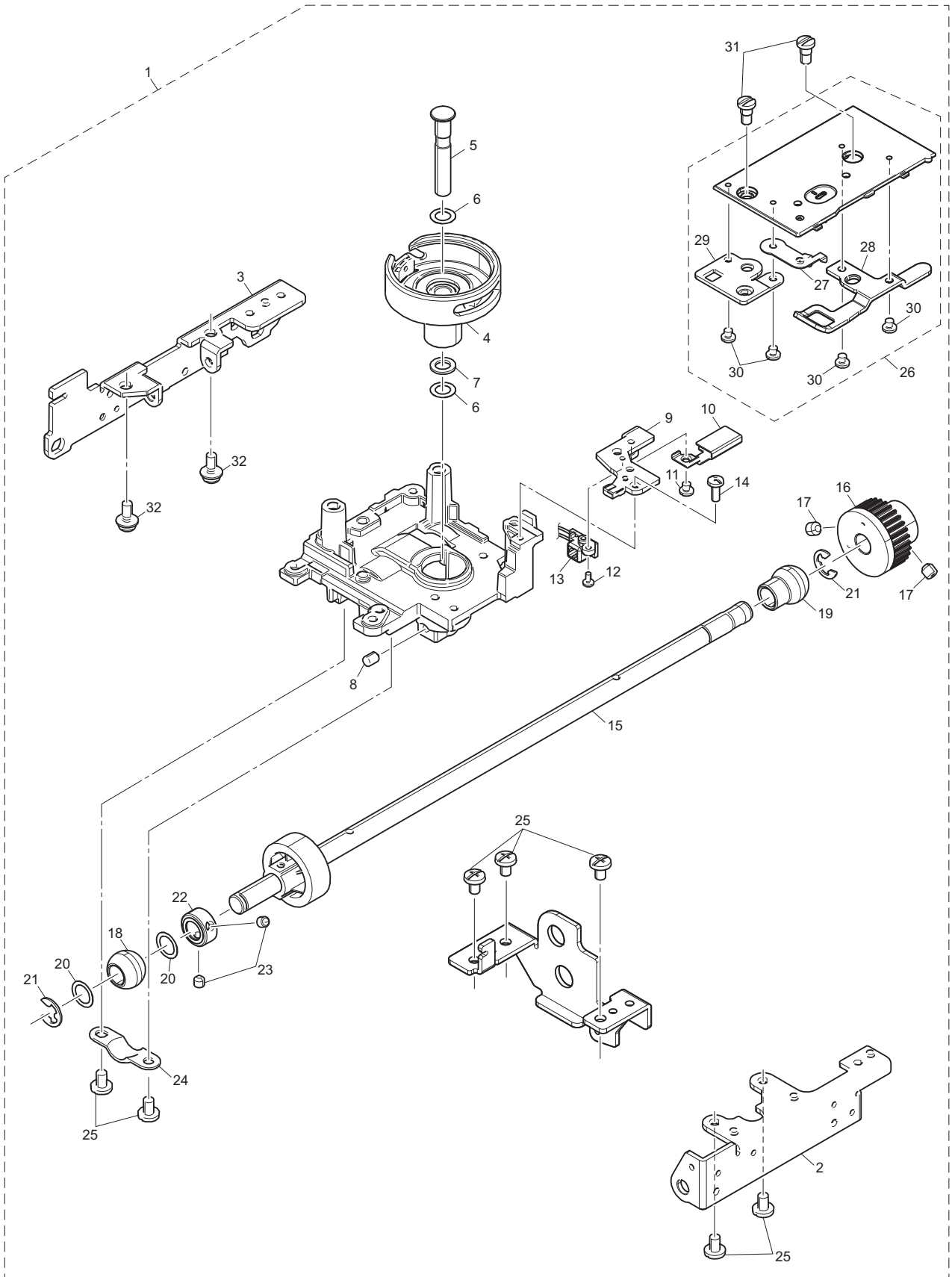
NEEDLE-PRESSER MODULE



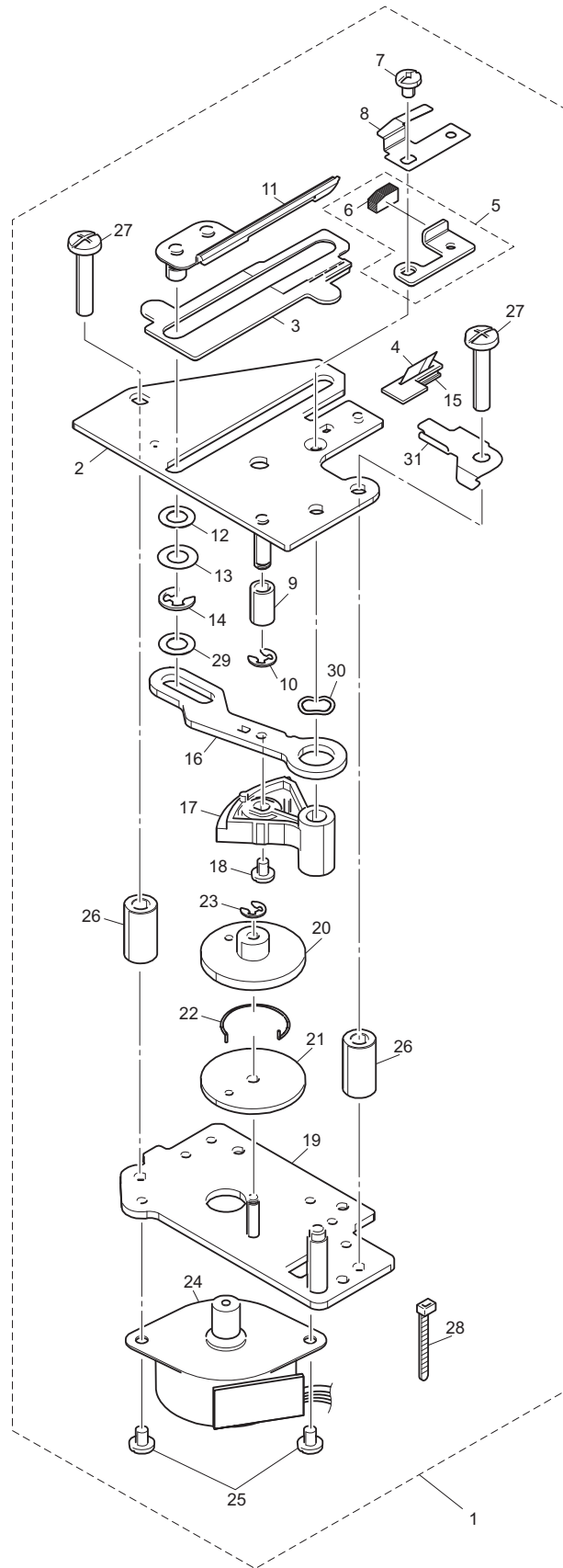
NEEDLE-PRESSER MODULE

No.	CODE	NAME	REMARKS	No.	CODE	NAME	REMARKS
1	XG1829001	NEEDLE UNIT SUPPLY ASSY EMB		45	XF8754001	PRESSER FOOT LIFTER	
2	XF9473001	NEEDLE BAR SUPPORTER ASSY		46	XF8755001	PRESSER FOOT LIFTER HOLDER	
3	XZ0417150	GUARD PLATE		47	XF8756001	PRESSER FOOT LIFTER SHAFT	
4	XD1550351	THREADER HOOK ASSY		48	XF8757001	PRESSER FOOT LIFTER SPRING	
5	XD1546051	LINK A ASSY		49	048030346	RETAINING RING E3	
6	XD1548151	LINK B		50	XF8759001	LEVER GUIDE SHAFT HOLDER	
7	XC9613121	THREAD GUIDE ASSY		51	XF8760001	LEVER GUIDE SHAFT	
8	XC9616051	SPRING		52	XF8762001	LEVER A ASSY	
9	XF8727001	SHAFT BUSHING A ASSY		53	XC2458021	LEVER B	
10	XC2419021	SHAFT		54	XC2459020	CAP	
11	000020416	SCREW BIND M2X4		55	XC2460021	TORSION SPRING	
12	XG1370001	NEEDLE HOLDER SHAFT C		56	048030346	RETAINING RING E3	
13	XG0742001	NEEDLE HOLDER SHAFT PLATE		57	048020346	RETAINING RING E2	
14	XF2685001	NEEDLE BAR		58	XF8764001	SWITCH HOLDER	
15	XE7727201	N/B THREAD GUIDE SUPPLY ASSY		59	XG0331001	THREADER LEVER SWITCH ASSY	
16	X53053052	SCREW SM2.38		60	XG2056001	SPRING	
17	XC2426020	NEEDLE THREAD PLATE		61	XF9119001	PRESSER DIAL	
18	XC2427051	NEEDLE BLOCK		62	XC8372151	PRESSER DIAL SHAFT ASSY	
19	XZ0388251	NEEDLE CLAMP SCREW		63	XC7830050	PRESSER DIAL GEAR	
20	014401232	SET SCREW SOCKET (CP) M4X12		64	103810022	WASHER, WAVE SPRING	
21	X56851021	LOCK NUT		65	XA0362051	WASHER	
22	XC2429021	SPRING		66	048040346	RETAINING RING E4	
23	XG3213001	NEEDLE BAR CRANK R SUPPLY ASSY		67	048050346	RETAINING RING E5	
24	XE1999001	SCREW, FLAT SM3.57-40X7 L		68	XF8788001	PRESSER PM HOLDER	
25	XC2434021	NEEDLE THREAD BLOCK		69	XF9371001	PULSE MOTOR:PF SMJ35-4840-KP	
26	012400432	SET SCREW SOCKET (FT) M4X4		70	060300416	SCREW BIND M3X4	
27	XF8735001	NEEDLE SUPPORTER ARM BASE		71	XG3086001	PF INIT PCB ASSY NEXT F	
28	XF9567001	NEEDLE HOLDER GUIDE ASSY		72	XC7644051	SCREW, PAM (S/P WASHER) M3X5	
29	XF8737001	NEEDLE BAR FELT HOLDER		73	XG2316001	PF INIT INSULATION SHEET	
30	XF3031001	NEEDLE BAR FELT		74	XF9501001	CORD GUIDE	
31	XC3338021	SCREW3X8		75	0A4300606	SCREW PAN (S/P WASHER) M3X6	
32	XF8741001	THREAD GUIDE PLATE		76	060300616	SCREW BIND M3X6	
33	XC6055021	SCREW, BIND M3X3		77	048025346	RETAINING RING E2.5	
34	XF8743001	TAKE-UP SUPPORT SHAFT		78	XF8802001	PT HOLDER ASSEMBLY	
35	XF8744001	THREAD TAKE-UP LEVER LINK		79	XF9392001	LEAD WIRE ASSY POTENTIO	
36	XF9118001	SCREW3X10		80	060300416	SCREW BIND M3X4	
37	XF8745001	THREAD TAKE-UP LEVER ASSY		81	0A4400806	SCREW PAN (S/P WASHER) M4X8	
38	XF8748001	PRESSER BAR		82	060400616	SCREW BIND M4X6	
39	XF8749001	PRESSER BAR CLAMP		83	XF9104001	PT CONNECTING PLATE	
40	XF8750001	PRESSER BAR CLAMP SCREW		84	XG0653001	PF LIFTER SWITCH HOLDER	
41	XF8751001	PRESSER BAR SPRING		85	XG0342001	SW ASSY:PF-NEXTF	
42	XF8752001	PRESSER FOOT RACK		86	X50546020	WASHER,THRUST	
43	XD0313051	U PRESSER FOOT		87	X53169020	BAND	
44	XG1343001	SCREW SM3.57-40X8					

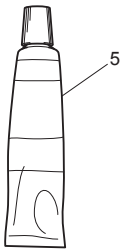
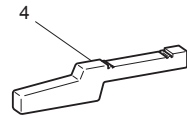
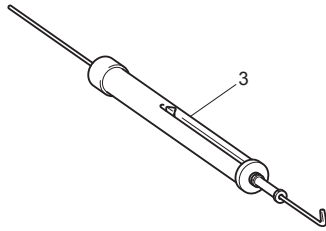
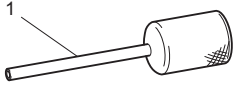
FEED MODULE



THREAD CUTTER MODULE



SPARE PARTS



brother

01H15HF888G80